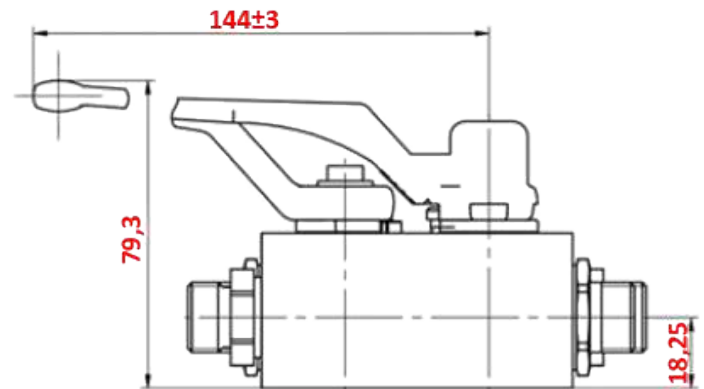
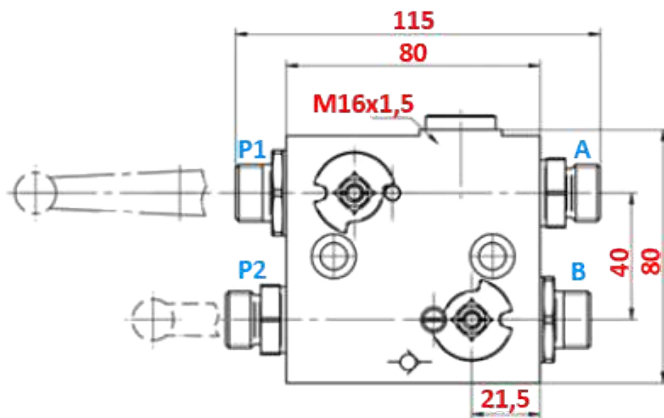
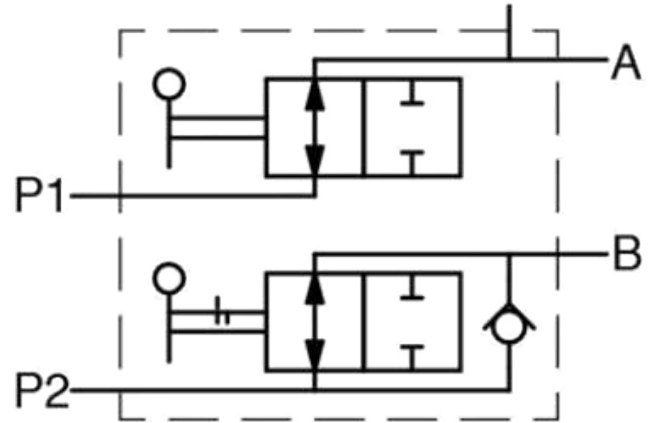
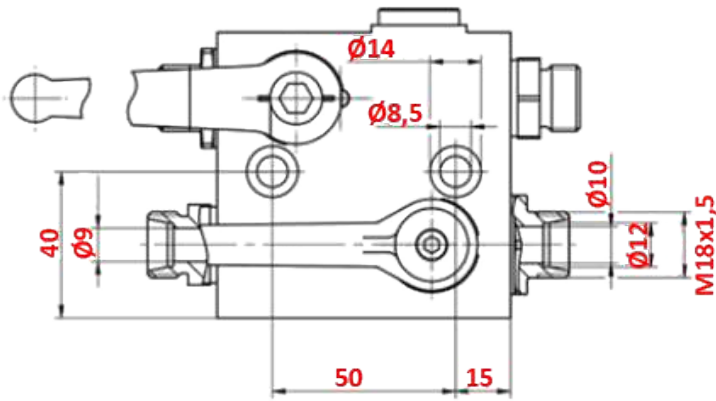


12407

[mm]



Šifra / Code		12407
Max. tlak / Max. pressure	[Bar]	210
Max. pretok / Max. flow	[l/min]	45
Navoj / Thread		M18x1.5